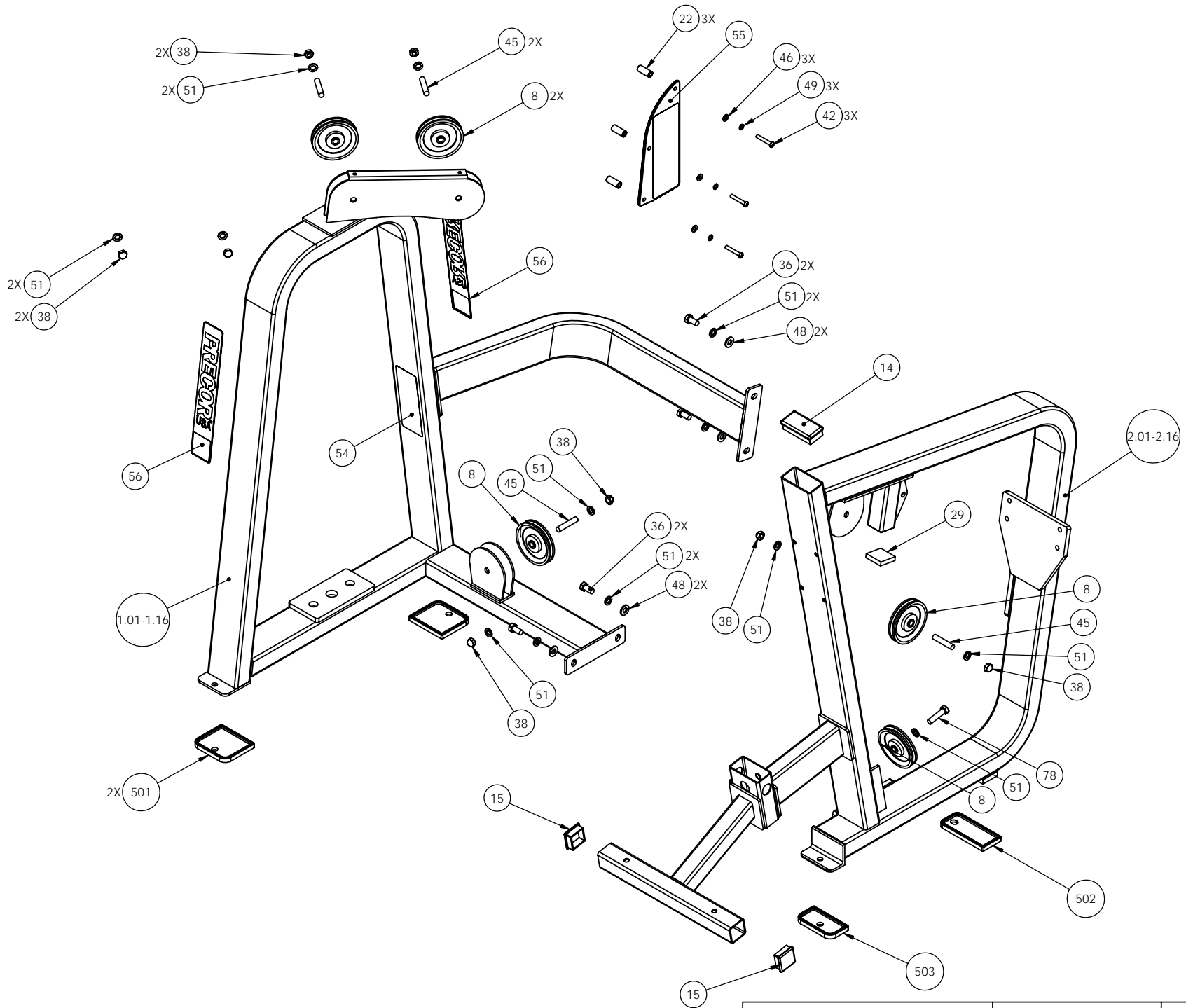
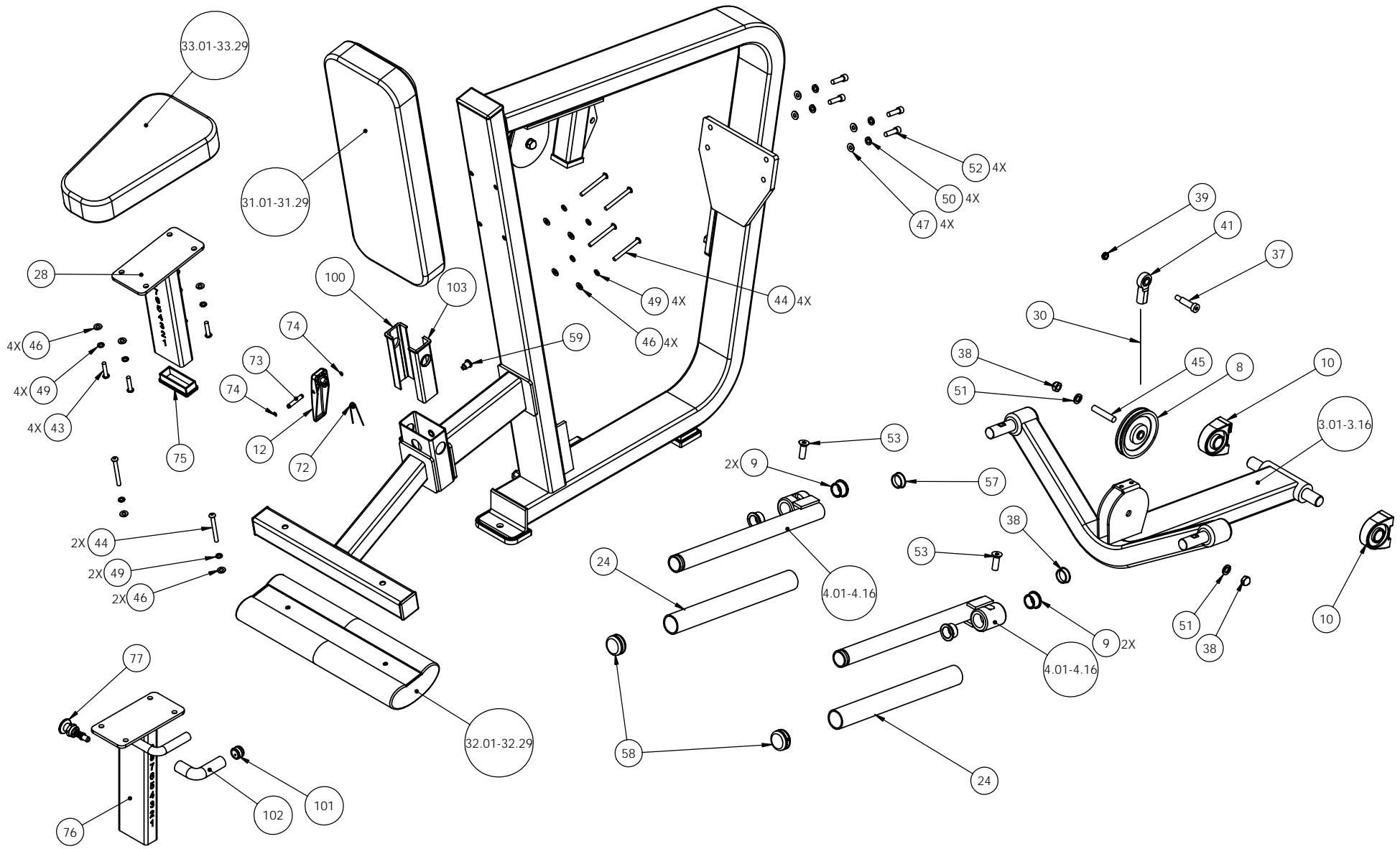


215	P/N : CW31159-102	SUBREV : C
DRAWN BY : CT	DATE : 11.12.05	SHEET 1 OF 4

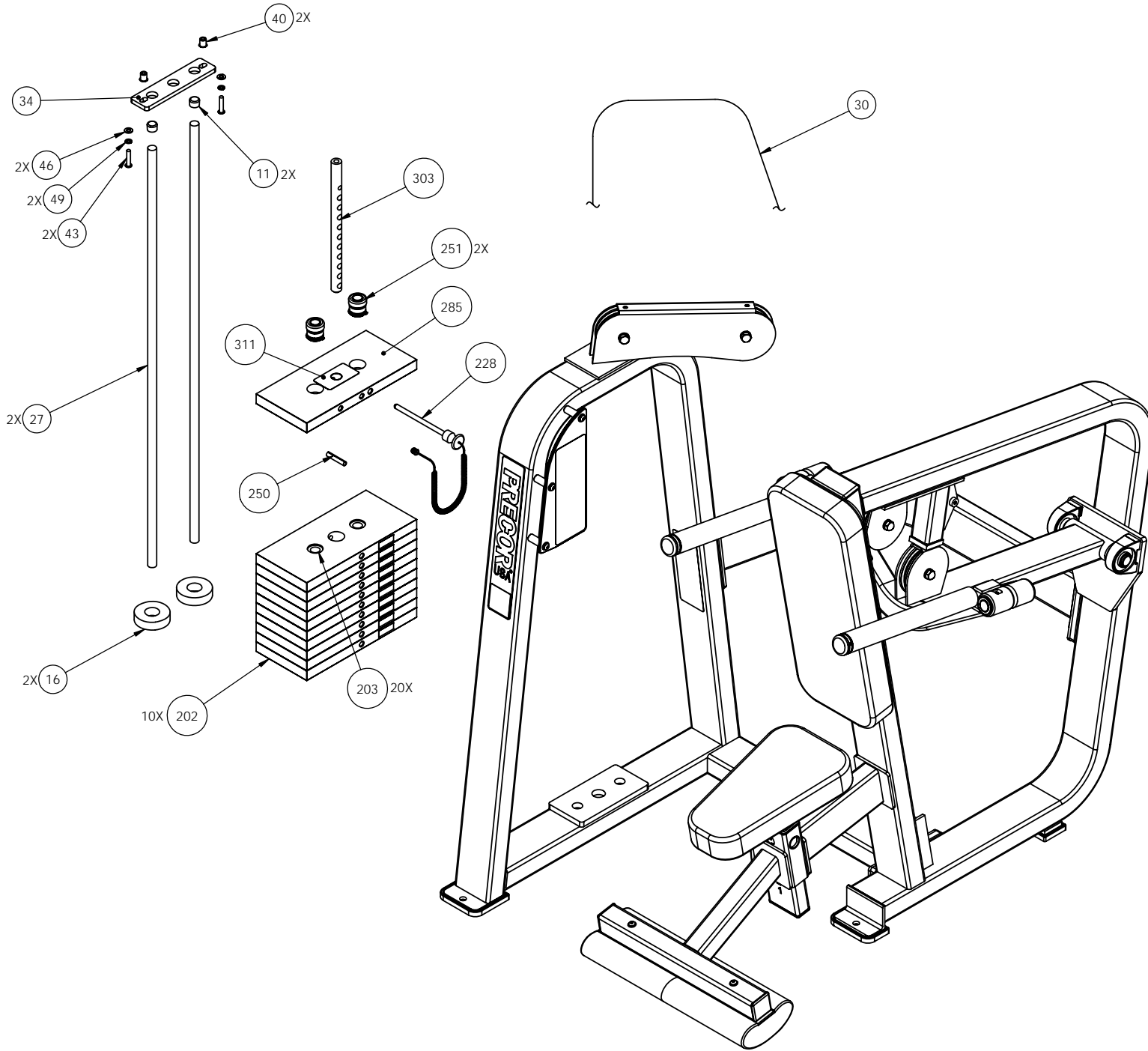


215	P/N : CW31159-102	SUBREV : C
DRAWN BY : CT	DATE : 11.12.05	SHEET 2 OF 4



SEAT SUPPORT PRIOR  
TO 6/23/2005

215	P/N : CW31159-102	SUBREV : C
DRAWN BY : CT	DATE : 11.12.05	SHEET 3 OF 4



215	P/N : CW31159-102	SUBREV : C
DRAWN BY : CT	DATE : 11.12.05	SHEET 4 OF 4

**215 Seated Dip**

<b>Part Number</b>	<b>Description</b>	<b>Bubble Number</b>
CW215SA1-211	ASSY,FRAME,MAIN,215,SKY WHITE	1.01
CW215SA1-221	ASSY,FRAME,MAIN,215,BLACK	1.02
CW215SA1-231	ASSY,FRAME,MAIN,215,RED	1.03
CW215SA1-241	ASSY,FRAME,MAIN,215,PLATINUM SPRKLE	1.04
CW215SA1-251	ASSY,FRAME,MAIN,215,SILVER	1.05
CW215SA1-261	ASSY,FRAME,MAIN,215,BLUE	1.06
CW215SA1-271	ASSY,FRAME,MAIN,215,CHARCOAL	1.07
CW215SA1-281	ASSY,FRAME,MAIN,215,CATHEDRAL GRAY	1.08
CW215SA1-291	ASSY,FRAME,MAIN,215,SILVER VIEN	1.09
CW215SA1-311	ASSY,FRAME,MAIN,215,STONE HG	1.11
CW215SA1-321	ASSY,FRAME,MAIN,215,TITANIUM HG	1.12
CW215SA1-331	ASSY,FRAME,MAIN,215,WHITE GLOSS	1.13
CW215SA1-341	ASSY,FRAME,MAIN,215,BLACK ONYX	1.14
CW215SA1-351	ASSY,FRAME,MAIN,215,LIGHT BRONZE	1.15
CW215SA1-361	ASSY,FRAME,MAIN,215,SAPPHIRE BLUE	1.16
CW215SA2-211	ASSY,SEAT FRAME,215, SKY WHITE	2.01
CW215SA2-212	ASSY,SEAT FRAME,215, SKY WHITE	2.01
CW215SA2-221	ASSY,SEAT FRAME,215, BLACK	2.02
CW215SA2-222	ASSY,SEAT FRAME,215, BLACK	2.02
CW215SA2-231	ASSY,SEAT FRAME,215, RED	2.03
CW215SA2-241	ASSY,SEAT FRAME,215, PLATINUM SPRKL	2.04
CW215SA2-251	ASSY,SEAT FRAME,215, SILVER	2.05
CW215SA2-261	ASSY,SEAT FRAME,215, BLUE	2.06
CW215SA2-281	ASSY,SEAT FRAME,215, CATHEDRAL GREY	2.08
CW215SA2-291	ASSY,SEAT FRAME,215, SILVER VIEN	2.09
CW215SA2-311	ASSY,SEAT FRAME,215, STONE HG	2.11
CW215SA2-312	ASSY,SEAT FRAME,215, STONE HG	2.11
CW215SA2-321	ASSY,SEAT FRAME,215, TITANIUM HG	2.12
CW215SA2-322	ASSY,SEAT FRAME,215, TITANIUM HG	2.12
CW215SA2-331	ASSY,SEAT FRAME,215, WHITE GLOSS	2.13
CW215SA2-341	ASSY,SEAT FRAME,215, BLACK ONYX	2.14
CW215SA2-351	ASSY,SEAT FRAME,215, LIGHT BRONZE	2.15
CW215SA2-352	ASSY,SEAT FRAME,215, LIGHT BRONZE	2.15
CW215SA2-361	ASSY,SEAT FRAME,215, SAPPHIRE BLUE	2.16
CW215SA2-362	ASSY,SEAT FRAME,215, SAPPHIRE BLUE	2.16
CW215SA3-211	ASSY, ARM, 215,SKY WHITE	3.01
CW215SA3-221	ASSY, ARM, 215,BLACK	3.02
CW215SA3-231	ASSY, ARM, 215,RED	3.03
CW215SA3-241	ASSY, ARM, 215,PLAT SPKLE	3.04
CW215SA3-251	ASSY, ARM, 215,SILVER	3.05
CW215SA3-261	ASSY, ARM, 215,BLUE	3.06
CW215SA3-271	ASSY, ARM, 215,CHARCOAL	3.07
CW215SA3-281	ASSY, ARM, 215,CATH GRY	3.08
CW215SA3-291	ASSY, ARM, 215,SILVER VIEN	3.09
CW215SA3-311	ASSY, ARM, 215,STONE HG	3.11
CW215SA3-321	ASSY, ARM, 215,TITANIUM HG	3.12
CW215SA3-331	ASSY, ARM, 215,WHITE GLOSS	3.13
CW215SA3-341	ASSY, ARM, 215,BLACK ONYX	3.14
CW215SA3-351	ASSY, ARM, 215,LIGHT BRONZE	3.15

CW215SA3-361	ASSY, ARM, 215,SAPPHIRE BLUE	3.16
CWSA1079-211	ASSY,PIVOTING,HANDLE,SKY WHITE	4.01
CWSA1079-221	ASSY,PIVOTING,HANDLE,BLACK	4.02
CWSA1079-311	ASSY,PIVOTING,HANDLE,STONE HG	4.11
CWSA1079-321	ASSY,PIVOTING,HANDLE,TITANIUM HG	4.12
CWSA1079-351	ASSY,PIVOTING,HANDLE,LIGHT BRONZE	4.15
CWSA1079-361	ASSY,PIVOTING,HANDLE,SAPPHIRE BLUE	4.16
CWAC1009-101	PULLEY, 4 1/2 DIA. X 1/2 ID	8
CW10043-134	BUSHING, BRONZE, 1" ID X 1 1/4" OD	9
CW12406-101	PILLOW BLOCK, BEARING, 2 BOLT	10
CW12404-101	CAP, GUIDE ROD,DIA 3/4, BLK	11
CW32460-321	ASSY, RATCHETING LEVER, TITANIUM	12
CW11311-102	ENDCAP, REC TUBE, 2X4, BLK PLASTIC	14
CW11311-103	ENDCAP, REC TUBE, 2X2, BLK PLASTIC	15
CW12402-101	BUMPER, WEIGHT STACK, BLK RUBBER	16
CWAC1228-901	SPACER, ALU,.328 ID X .625 OD X .25	22
CWGR4315-000	GRIP,RUBBER, DIA 1-1/2, (15")	24
CWPF1212-711	GUIDE ROD, 3/4 X 42 5/8 (#4), CHM	27
CW32535-711	ASSEMBLY, SEAT ADJUSTMENT, 8 HOLE,	28
CW30014-103	CUT PIECE, CREPE, 7/16 X 2 X 2	29
CWCLGP174-250	ASSY, CABLE, 215	30
CWPD1104B-101	PAD,9X24,4HOLES,W/BP,BLACK	31.01
CWPD1104B-102	PAD,9X24,4HOLES,W/BP,RYL BL	31.02
CWPD1104B-103	PAD,9X24,4HOLES,W/BP,DVE GRY	31.03
CWPD1104B-104	PAD,9X24,4HOLES,W/BP,CROCUS	31.04
CWPD1104B-105	PAD,9X24,4HOLES,W/BP,GROTTO	31.05
CWPD1104B-106	PAD,9X24,4HOLES,W/BP,GRAPHITE	31.06
CWPD1104B-107	PAD,9X24,4HOLES,W/BP,RED	31.07
CWPD1104B-108	PAD,9X24,4HOLES,W/BP,CHN GRN	31.08
CWPD1104B-109	PAD,9X24,4HOLES,W/BP,TURQSE	31.09
CWPD1104B-110	PAD,9X24,4HOLES,W/BP,RASP	31.1
CWPD1104B-111	PAD,9X24,4HOLES,W/BP,PLUM	31.11
CWPD1104B-112	PAD,9X24,4HOLES,W/BP,REGIMENT	31.12
CWPD1104B-113	PAD,9X24,4HOLES,W/BP,SPC BLUE	31.13
CWPD1104B-115	PAD,9X24,4HOLES,W/BP,BLK LTHR	31.15
CWPD1104B-116	PAD,9X24,4HOLES,W/BP,NVBL LTH	31.16
CWPD1104B-117	PAD,9X24,4HOLES,W/BP,PUTTY	31.17
CWPD1104B-118	PAD,9X24,4HOLES,W/BP,IMPRL BLUE	31.18
CWPD1104B-119	PAD,9X24,4HOLES,W/BP,YEW GREEN	31.19
CWPD1104B-120	PAD,9X24,4HOLES,W/BP,DUSTY JADE	31.2
CWPD1104B-121	PAD,9X24,4HOLES,W/BP,TERRA COTTA	31.21
CWPD1104B-122	PAD,9X24,4HOLES,W/BP,PAPRIKA	31.22
CWPD1104B-123	PAD,9X24,4HOLES,W/BP,ASH LTHR	31.23
CWPD1104B-124	PAD,9X24,4HOLES,W/BP,CERULEAN LTHR	31.24
CWPD1104B-125	PAD,9X24,4HOLES,W/BP,CHARCOAL LTHR	31.25
CWPD1104B-126	PAD,9X24,4HOLES,W/BP,HUNTER LTHR	31.26
CWPD1104B-127	PAD,9X24,4HOLES,W/BP,MOSS LTHR	31.27
CWPD1104B-128	PAD,9X24,4HOLES,W/BP,SPICE LTHR	31.28
CWPD1104B-129	PAD,9X24,4HOLES,W/BP,TOMATO LTHR	31.29
CWPD1141J-101	PAD,4X19,2HOLES,W/BP,BLACK, W/SLIP	32.01
CWPD1141J-102	PAD,4X19,2HOLES,W/BP,RYL BL, W/SLIP	32.02

CWPD1141J-103	PAD,4X19,2HOLES,W/BP,DVE GRY, W/SLI	32.03
CWPD1141J-104	PAD,4X19,2HOLES,W/BP,CROCUS, W/SLIP	32.04
CWPD1141J-105	PAD,4X19,2HOLES,W/BP,GROTTO, W/SLIP	32.05
CWPD1141J-106	PAD,4X19,2HOLES,W/BP,GRAPHITE, W/SL	32.06
CWPD1141J-107	PAD,4X19,2HOLES,W/BP,RED, W/SLIP	32.07
CWPD1141J-108	PAD,4X19,2HOLES,W/BP,CHN GRN, W/SLI	32.08
CWPD1141J-109	PAD,4X19,2HOLES,W/BP,TURQSE,W/SLIP	32.09
CWPD1141J-110	PAD,4X19,2HOLES,W/BP,RASP,W/SLIP	32.1
CWPD1141J-111	PAD,4X19,2HOLES,W/BP,PLUM, W/SLIP	32.11
CWPD1141J-112	PAD,4X19,2HOLES,W/BP,REGIMENT, W/SLI	32.12
CWPD1141J-113	PAD,4X19,2HOLES,W/BP,SPC BLUE,W/SLI	32.13
CWPD1141J-115	PAD,4X19,2HOLES,W/BP,BLK LTHR,W/SLI	32.15
CWPD1141J-116	PAD,4X19,2HOLES,W/BP,NVBL LTH,W/SLI	32.16
CWPD1141J-117	PAD,4X19,2HOLES,W/BP,PUTTY,W/SLIP	32.17
CWPD1141J-118	PAD,4X19,2HOLES,W/BP,IMPRL BL,W/SLI	32.18
CWPD1141J-119	PAD,4X19,2HOLES,W/BP,YEW GRN,W/SLIP	32.19
CWPD1141J-120	PAD,4X19,2HOLES,W/BP,DSTY JD,W/SLIP	32.2
CWPD1141J-121	PAD,4X19,2HOLES,W/BP,TER COT,W/SLIP	32.21
CWPD1141J-122	PAD,4X19,2HOLES,W/BP,PAPRIKA,W/SLIP	32.22
CWPD1141J-123	PAD,4X19,2HOLES,W/BP,ASH LTHR,W/SLI	32.23
CWPD1141J-125	PAD,4X19,2HOLES,W/BP,CHARCOAL LTHR,	32.25
CWPD1141J-126	PAD,4X19,2HOLES,W/BP,HUNTER LTHR,W/	32.26
CWPD1141J-127	PAD,4X19,2HOLES,W/BP,MOSS LTHR,W/SL	32.27
CWPD1141J-128	PAD,4X19,2HOLES,W/BP,SPICE LTHR,W/S	32.28
CWPD1141J-129	PAD,4X19,2HOLES,W/BP,TOMATO LTHR,W/	32.29
CWPD1207B-101	PAD,5X9X14.5,4HOLES,W/BP,BLACK	33.01
CWPD1207B-102	PAD,5X9X14.5,4HOLES,W/BP,RYL BL	33.02
CWPD1207B-103	PAD,5X9X14.5,4HOLES,W/BP,DVE GRY	33.03
CWPD1207B-104	PAD,5X9X14.5,4HOLES,W/BP,CROCUS	33.04
CWPD1207B-105	PAD,5X9X14.5,4HOLES,W/BP,GROTTO	33.05
CWPD1207B-106	PAD,5X9X14.5,4HOLES,W/BP,GRAPHITE	33.06
CWPD1207B-107	PAD,5X9X14.5,4HOLES,W/BP,RED	33.07
CWPD1207B-108	PAD,5X9X14.5,4HOLES,W/BP,CHN GRN	33.08
CWPD1207B-109	PAD,5X9X14.5,4HOLES,W/BP,TURQSE	33.09
CWPD1207B-110	PAD,5X9X14.5,4HOLES,W/BP,RASP	33.1
CWPD1207B-111	PAD,5X9X14.5,4HOLES,W/BP,PLUM	33.11
CWPD1207B-112	PAD,5X9X14.5,4HOLES,W/BP,REGIMENT	33.12
CWPD1207B-113	PAD,5X9X14.5,4HOLES,W/BP,SPC BLUE	33.13
CWPD1207B-115	PAD,5X9X14.5,4HOLES,W/BP,BLK LTHR	33.15
CWPD1207B-116	PAD,5X9X14.5,4HOLES,W/BP,NVBL LTH	33.16
CWPD1207B-117	PAD,5X9X14.5,4HOLES,W/BP,PUTTY	33.17
CWPD1207B-118	PAD,5X9X14.5,4HOLES,W/BP,IMPRL BL	33.18
CWPD1207B-119	PAD,5X9X14.5,4HOLES,W/BP,YEW GRN	33.19
CWPD1207B-120	PAD,5X9X14.5,4HOLES,W/BP,DSTY JD	33.2
CWPD1207B-121	PAD,5X9X14.5,4HOLES,W/BP,TER COT	33.21
CWPD1207B-122	PAD,5X9X14.5,4HOLES,W/BP,PAPRIKA	33.22
CWPD1207B-123	PAD,5X9X14.5,4HLS,W/BP,ASH LTHR	33.23
CWPD1207B-124	PAD,5X9X14.5,4HLS,W/BP,CERULAN LTHR	33.24
CWPD1207B-125	PAD,5X9X14.5,4HLS,W/BP,CHARCOAL LTH	33.25
CWPD1207B-126	PAD,5X9X14.5,4HLS,W/BP,HUNTER LTHR	33.26
CWPD1207B-127	PAD,5X9X14.5,4HLS,W/BP,MOSS LTHR	33.27

CWPD1207B-128	PAD,5X9X14.5,4HLS,W/BP,SPICE LTHR	33.28
CWPD1207B-129	PAD,5X9X14.5,4HLS,W/BP,TOMATO LTH	33.29
CWPF1016-731	BAR,,FLAT CR/HR, 3/8 X 2 X 8 1/4, 3	34
CWHCYN050-100	SCREW,HEX HEAD,BLK XYLAN,1/2-13 X 1	36
CWRANN038-150	BOLT, SHOULDER, 3/8-16 X 1/2 X 1 1/	37
CWKADLN050-081	NUT, ACORN, 1/2-13	38
CWKAYN038-027	LOCKNUT, NYLON INSERT, HALF, UNC,	39
CW12537-109	NUT,INSERT,THIN-NUT,LARGE FLANGE	40
CWCLFA1064-741	ROD END, FEMALE, STEEL, ZINC, CAD,	41
CWTAYN031-150	SCREW, BUTTON HEAD, BLK XYLAN,5/16	43
CWTAYN031-300	SCREW, BUTTON HEAD, BLK XYLAN,5/16	44
CWBFNN050-250	STUD, 1/2-13 X 2 1/2	45
CWWBKN031-007	WASHER, FLAT, TYPE A, SAE, 5/16 ID	46
CWWBKN038-007	WASHER, FLAT, TYPE A, SAE, 3/8 ID	47
CWWBKN050-010	WASHER, FLAT, TYPE A, SAE, 1/2 ID X	48
CWWALYN031-008	WASHER, SPLIT, 5/16 ID, BL	49
CWWALYN038-009	WASHER, SPLIT, 3/8 ID, BLK XYLAN	50
CWWALYN050-013	WASHER, SPLIT, 1/2 ID, BLK XYLAN	51
CWCAYN038-125	SCREW, SOCKET HEAD, BLK X	52
CWCAYN044-100	SCREW, SOCKET HEAD, BLK XYLAN, 7/1	53
CW30010-101	LABEL,WARNING STRENGTH	54
CW30139-101	ASSY, LABEL,INSTRUCTION,215	55
CW31756-101	LABEL, PRECOR USA ICARIAN LINE	56
CW11095-105	CAP, PLASTIC, HEYCO, DOME PLUG, 1.2	57
CWAC242-901	HANDLE END CAP W/SET SCREWS, DIA 1	58
CW31784-731	STOP PLUG, BLK ZN	59
CW12634-101	SPRING, TORSION 90 DEG X 0.484 X 0.	72
CW31770-742	LATCH PIVOTING PIN, CLR ZN	73
CWAMNN028-003	RING, RETAINING, 2-TURN, SPIRAL, SS	74
CW12633-101	ENDCAP, REC TUBE, LDP, 1 1/2 X 3 1	75
CW30181-711	ASSY,SEAT SUPPORT,9 HOLE,CHM	76
CW30165-751	ASSY, POP PIN, 0.450 DIA HANDLE, B	77
CWAC1236-102	GUIDE INSERT, PLASTIC WITH HOLE, BL	100
CWAC220-901	HANDLE END CAP W/SET SCREWS, DIA 3/	101
CWGR2505-000	GRIP,RUBBER,3/4" DIA, 5"	102
CWAC1236-101	GUIDE INSERT, PLASTIC WITHOUT HOLE,	103
CW10520-721	ASSY, PLATE, WEIGHT, 20 LBS, WRKL B	202
CWAC1133-101	BUSHING, WEIGHT PLATE, LDPE PLASTIC	203
CW30173-751	ASSY, 6.00 IN WEIGHT STACK PIN AND	228
CWLDNN038-200	PIN, ROLL, DIA 3/8 X 2	250
CW30184-901	ASSY,BARREL,TOP PLATE,ALUMINUM	251
CW10570-721	PLATE, WEIGHT, LARGE TOP (LTP-S),	285
CW10570-722	PLATE, WEIGHT, LARGE TOP (LTP-S),	285
CW30129-711	SELECTOR STEM, 11 PLATE,0 .875 DIA,	303
CW30011-101	LABEL,WARNING WEIGHT STACK	311
CW12401-114	LABEL, WEIGHT PLATE, 40 LBS/ 18.2 K	327
CW12401-120	LABEL, WEIGHT PLATE, 60 LBS/ 27.3 K	333
CW12401-124	LABEL, WEIGHT PLATE, 80 LBS/ 36.4 K	337
CW12401-128	LABEL, WEIGHT PLATE, 100 LBS/ 45.5	341
CW12401-130	LABEL, WEIGHT PLATE, 120 LBS/ 54.6	343
CW12401-132	LABEL, WEIGHT PLATE, 140 LBS/ 63.6	345



CW12401-134	LABEL, WEIGHT PLATE, 160 LBS/ 72.7	347
CW12401-136	LABEL, WEIGHT PLATE, 180 LBS/ 81.8	349
CW12401-138	LABEL, WEIGHT PLATE, 200 LBS/ 90.9	351
CW12401-140	LABEL, WEIGHT PLATE, 220 LBS/ 100 K	353
CW12537-109	NUT,INSERT,THIN-NUT,LARGE FLANGE	400
CW30126-101	LABEL,VINYL, PRECOR, 3.25 X 18.0	401
CWPF3143-211	SHROUD,SHEET,STEEL,3/32 THICK,4 BEN	402.01
CWPF3143-221	SHROUD,SHEET,STEEL,3/32 THICK,4 BEN	402.02
CWPF3143-231	SHROUD,SHEET,STEEL,3/32 THICK,4 BEN	402.03
CWPF3143-241	SHROUD,SHEET,STEEL,3/32 THICK,4 BEN	402.04
CWPF3143-251	SHROUD,SHEET,STEEL,3/32 THICK,4 BEN	402.05
CWPF3143-261	SHROUD,SHEET,STEEL,3/32 THICK,4 BEN	402.06
CWPF3143-271	SHROUD,SHEET,STEEL,3/32 THICK,4 BEN	402.07
CWPF3143-281	SHROUD,SHEET,STEEL,3/32 THICK,4 BEN	402.08
CWPF3143-291	SHROUD,SHEET,STEEL,3/32 THICK,4 BEN	402.09
CWPF3143-311	SHROUD,SHEET,STEEL,3/32 THICK,4 BEN	402.11
CWPF3143-321	SHROUD,SHEET,STEEL,3/32 THICK,4 BEN	402.12
CWPF3143-331	SHROUD,SHEET,STEEL,3/32 THICK,4 BEN	402.13
CWPF3143-341	SHROUD,SHEET,STEEL,3/32 THICK,4 BEN	402.14
CWPF3143-351	SHROUD,SHEET,STEEL,3/32 THICK,4 BEN	402.15
CWPF3143-361	SHROUD,SHEET,STEEL,3/32 THICK,4 BEN	402.16
CWPF3143-711	SHROUD,SHEET,STEEL,3/32 THICK,4 BEN	402.17
CWPF3144-721	SHROUD BRKT,PLATE,STEEL,1/8 THICK,1	403
CWPF3145-721	SHROUD BRKT,PLATE,STEEL,1/8 THICK,2	404
CWTAYN031-100	SCREW, BUTTON HEAD, BLK XYLAN, 5/1	405
CWWALYN031-008	WASHER, SPLIT, 5/16 ID, BL	406
CWWBKN031-007	WASHER, FLAT, TYPE A, SAE, 5/16 ID	407
CWAC1177-101	FLOOR PROTECTOR, RUBBER, 4.563 X 4.	501
CWAC1178-101	FLOOR PROTECTOR, RUBBER, 2.563 X 6.	502
CWAC1179-101	FLOOR PROTECTOR, RUBBER, 4.813 X 2.	503

**215 Seated Dip**

<b>Part Number</b>	<b>Description</b>	<b>Bubble Number</b>
CW215SA1-211	ASSY,FRAME,MAIN,215,SKY WHITE	1.01
CW215SA1-221	ASSY,FRAME,MAIN,215,BLACK	1.02
CW215SA1-231	ASSY,FRAME,MAIN,215,RED	1.03
CW215SA1-241	ASSY,FRAME,MAIN,215,PLATINUM SPRKLE	1.04
CW215SA1-251	ASSY,FRAME,MAIN,215,SILVER	1.05
CW215SA1-261	ASSY,FRAME,MAIN,215,BLUE	1.06
CW215SA1-271	ASSY,FRAME,MAIN,215,CHARCOAL	1.07
CW215SA1-281	ASSY,FRAME,MAIN,215,CATHEDRAL GRAY	1.08
CW215SA1-291	ASSY,FRAME,MAIN,215,SILVER VIEN	1.09
CW215SA1-311	ASSY,FRAME,MAIN,215,STONE HG	1.11
CW215SA1-321	ASSY,FRAME,MAIN,215,TITANIUM HG	1.12
CW215SA1-331	ASSY,FRAME,MAIN,215,WHITE GLOSS	1.13
CW215SA1-341	ASSY,FRAME,MAIN,215,BLACK ONYX	1.14
CW215SA1-351	ASSY,FRAME,MAIN,215,LIGHT BRONZE	1.15
CW215SA1-361	ASSY,FRAME,MAIN,215,SAPPHIRE BLUE	1.16
CW215SA2-211	ASSY,SEAT FRAME,215, SKY WHITE	2.01
CW215SA2-212	ASSY,SEAT FRAME,215, SKY WHITE	2.01
CW215SA2-221	ASSY,SEAT FRAME,215, BLACK	2.02
CW215SA2-222	ASSY,SEAT FRAME,215, BLACK	2.02
CW215SA2-231	ASSY,SEAT FRAME,215, RED	2.03
CW215SA2-241	ASSY,SEAT FRAME,215, PLATINUM SPRKL	2.04
CW215SA2-251	ASSY,SEAT FRAME,215, SILVER	2.05
CW215SA2-261	ASSY,SEAT FRAME,215, BLUE	2.06
CW215SA2-281	ASSY,SEAT FRAME,215, CATHEDRAL GREY	2.08
CW215SA2-291	ASSY,SEAT FRAME,215, SILVER VIEN	2.09
CW215SA2-311	ASSY,SEAT FRAME,215, STONE HG	2.11
CW215SA2-312	ASSY,SEAT FRAME,215, STONE HG	2.11
CW215SA2-321	ASSY,SEAT FRAME,215, TITANIUM HG	2.12
CW215SA2-322	ASSY,SEAT FRAME,215, TITANIUM HG	2.12
CW215SA2-331	ASSY,SEAT FRAME,215, WHITE GLOSS	2.13
CW215SA2-341	ASSY,SEAT FRAME,215, BLACK ONYX	2.14
CW215SA2-351	ASSY,SEAT FRAME,215, LIGHT BRONZE	2.15
CW215SA2-352	ASSY,SEAT FRAME,215, LIGHT BRONZE	2.15
CW215SA2-361	ASSY,SEAT FRAME,215, SAPPHIRE BLUE	2.16
CW215SA2-362	ASSY,SEAT FRAME,215, SAPPHIRE BLUE	2.16
CW215SA3-211	ASSY, ARM, 215,SKY WHITE	3.01
CW215SA3-221	ASSY, ARM, 215,BLACK	3.02
CW215SA3-231	ASSY, ARM, 215,RED	3.03
CW215SA3-241	ASSY, ARM, 215,PLAT SPKLE	3.04
CW215SA3-251	ASSY, ARM, 215,SILVER	3.05
CW215SA3-261	ASSY, ARM, 215,BLUE	3.06
CW215SA3-271	ASSY, ARM, 215,CHARCOAL	3.07
CW215SA3-281	ASSY, ARM, 215,CATH GRY	3.08
CW215SA3-291	ASSY, ARM, 215,SILVER VIEN	3.09
CW215SA3-311	ASSY, ARM, 215,STONE HG	3.11
CW215SA3-321	ASSY, ARM, 215,TITANIUM HG	3.12
CW215SA3-331	ASSY, ARM, 215,WHITE GLOSS	3.13
CW215SA3-341	ASSY, ARM, 215,BLACK ONYX	3.14
CW215SA3-351	ASSY, ARM, 215,LIGHT BRONZE	3.15

CW215SA3-361	ASSY, ARM, 215,SAPPHIRE BLUE	3.16
CWSA1079-211	ASSY,PIVOTING,HANDLE,SKY WHITE	4.01
CWSA1079-221	ASSY,PIVOTING,HANDLE,BLACK	4.02
CWSA1079-311	ASSY,PIVOTING,HANDLE,STONE HG	4.11
CWSA1079-321	ASSY,PIVOTING,HANDLE,TITANIUM HG	4.12
CWSA1079-351	ASSY,PIVOTING,HANDLE,LIGHT BRONZE	4.15
CWSA1079-361	ASSY,PIVOTING,HANDLE,SAPPHIRE BLUE	4.16
CWAC1009-101	PULLEY, 4 1/2 DIA. X 1/2 ID	8
CW10043-134	BUSHING, BRONZE, 1" ID X 1 1/4" OD	9
CW12406-101	PILLOW BLOCK, BEARING, 2 BOLT	10
CW12404-101	CAP, GUIDE ROD,DIA 3/4, BLK	11
CW32460-321	ASSY, RATCHETING LEVER, TITANIUM	12
CW11311-102	ENDCAP, REC TUBE, 2X4, BLK PLASTIC	14
CW11311-103	ENDCAP, REC TUBE, 2X2, BLK PLASTIC	15
CW12402-101	BUMPER, WEIGHT STACK, BLK RUBBER	16
CWAC1228-901	SPACER, ALU,.328 ID X .625 OD X .25	22
CWGR4315-000	GRIP,RUBBER, DIA 1-1/2, (15")	24
CWPF1212-711	GUIDE ROD, 3/4 X 42 5/8 (#4), CHM	27
CW32535-711	ASSEMBLY, SEAT ADJUSTMENT, 8 HOLE,	28
CW30014-103	CUT PIECE, CREPE, 7/16 X 2 X 2	29
CWCLGP174-250	ASSY, CABLE, 215	30
CWPD1104B-101	PAD,9X24,4HOLES,W/BP,BLACK	31.01
CWPD1104B-102	PAD,9X24,4HOLES,W/BP,RYL BL	31.02
CWPD1104B-103	PAD,9X24,4HOLES,W/BP,DVE GRY	31.03
CWPD1104B-104	PAD,9X24,4HOLES,W/BP,CROCUS	31.04
CWPD1104B-105	PAD,9X24,4HOLES,W/BP,GROTTO	31.05
CWPD1104B-106	PAD,9X24,4HOLES,W/BP,GRAPHITE	31.06
CWPD1104B-107	PAD,9X24,4HOLES,W/BP,RED	31.07
CWPD1104B-108	PAD,9X24,4HOLES,W/BP,CHN GRN	31.08
CWPD1104B-109	PAD,9X24,4HOLES,W/BP,TURQSE	31.09
CWPD1104B-110	PAD,9X24,4HOLES,W/BP,RASP	31.1
CWPD1104B-111	PAD,9X24,4HOLES,W/BP,PLUM	31.11
CWPD1104B-112	PAD,9X24,4HOLES,W/BP,REGIMENT	31.12
CWPD1104B-113	PAD,9X24,4HOLES,W/BP,SPC BLUE	31.13
CWPD1104B-115	PAD,9X24,4HOLES,W/BP,BLK LTHR	31.15
CWPD1104B-116	PAD,9X24,4HOLES,W/BP,NVBL LTH	31.16
CWPD1104B-117	PAD,9X24,4HOLES,W/BP,PUTTY	31.17
CWPD1104B-118	PAD,9X24,4HOLES,W/BP,IMPRL BLUE	31.18
CWPD1104B-119	PAD,9X24,4HOLES,W/BP,YEW GREEN	31.19
CWPD1104B-120	PAD,9X24,4HOLES,W/BP,DUSTY JADE	31.2
CWPD1104B-121	PAD,9X24,4HOLES,W/BP,TERRA COTTA	31.21
CWPD1104B-122	PAD,9X24,4HOLES,W/BP,PAPRIKA	31.22
CWPD1104B-123	PAD,9X24,4HOLES,W/BP,ASH LTHR	31.23
CWPD1104B-124	PAD,9X24,4HOLES,W/BP,CERULEAN LTHR	31.24
CWPD1104B-125	PAD,9X24,4HOLES,W/BP,CHARCOAL LTHR	31.25
CWPD1104B-126	PAD,9X24,4HOLES,W/BP,HUNTER LTHR	31.26
CWPD1104B-127	PAD,9X24,4HOLES,W/BP,MOSS LTHR	31.27
CWPD1104B-128	PAD,9X24,4HOLES,W/BP,SPICE LTHR	31.28
CWPD1104B-129	PAD,9X24,4HOLES,W/BP,TOMATO LTHR	31.29
CWPD1141J-101	PAD,4X19,2HOLES,W/BP,BLACK, W/SLIP	32.01
CWPD1141J-102	PAD,4X19,2HOLES,W/BP,RYL BL, W/SLIP	32.02

CWPD1141J-103	PAD,4X19,2HOLES,W/BP,DVE GRY, W/SLI	32.03
CWPD1141J-104	PAD,4X19,2HOLES,W/BP,CROCUS, W/SLIP	32.04
CWPD1141J-105	PAD,4X19,2HOLES,W/BP,GROTTO, W/SLIP	32.05
CWPD1141J-106	PAD,4X19,2HOLES,W/BP,GRAPHITE, W/SL	32.06
CWPD1141J-107	PAD,4X19,2HOLES,W/BP,RED, W/SLIP	32.07
CWPD1141J-108	PAD,4X19,2HOLES,W/BP,CHN GRN, W/SLI	32.08
CWPD1141J-109	PAD,4X19,2HOLES,W/BP,TURQSE,W/SLIP	32.09
CWPD1141J-110	PAD,4X19,2HOLES,W/BP,RASP,W/SLIP	32.1
CWPD1141J-111	PAD,4X19,2HOLES,W/BP,PLUM, W/SLIP	32.11
CWPD1141J-112	PAD,4X19,2HOLES,W/BP,REGIMENT, W/SLI	32.12
CWPD1141J-113	PAD,4X19,2HOLES,W/BP,SPC BLUE,W/SLI	32.13
CWPD1141J-115	PAD,4X19,2HOLES,W/BP,BLK LTHR,W/SLI	32.15
CWPD1141J-116	PAD,4X19,2HOLES,W/BP,NVBL LTH,W/SLI	32.16
CWPD1141J-117	PAD,4X19,2HOLES,W/BP,PUTTY,W/SLIP	32.17
CWPD1141J-118	PAD,4X19,2HOLES,W/BP,IMPRL BL,W/SLI	32.18
CWPD1141J-119	PAD,4X19,2HOLES,W/BP,YEW GRN,W/SLIP	32.19
CWPD1141J-120	PAD,4X19,2HOLES,W/BP,DSTY JD,W/SLIP	32.2
CWPD1141J-121	PAD,4X19,2HOLES,W/BP,TER COT,W/SLIP	32.21
CWPD1141J-122	PAD,4X19,2HOLES,W/BP,PAPRIKA,W/SLIP	32.22
CWPD1141J-123	PAD,4X19,2HOLES,W/BP,ASH LTHR,W/SLI	32.23
CWPD1141J-125	PAD,4X19,2HOLES,W/BP,CHARCOAL LTHR,	32.25
CWPD1141J-126	PAD,4X19,2HOLES,W/BP,HUNTER LTHR,W/	32.26
CWPD1141J-127	PAD,4X19,2HOLES,W/BP,MOSS LTHR,W/SL	32.27
CWPD1141J-128	PAD,4X19,2HOLES,W/BP,SPICE LTHR,W/S	32.28
CWPD1141J-129	PAD,4X19,2HOLES,W/BP,TOMATO LTHR,W/	32.29
CWPD1207B-101	PAD,5X9X14.5,4HOLES,W/BP,BLACK	33.01
CWPD1207B-102	PAD,5X9X14.5,4HOLES,W/BP,RYL BL	33.02
CWPD1207B-103	PAD,5X9X14.5,4HOLES,W/BP,DVE GRY	33.03
CWPD1207B-104	PAD,5X9X14.5,4HOLES,W/BP,CROCUS	33.04
CWPD1207B-105	PAD,5X9X14.5,4HOLES,W/BP,GROTTO	33.05
CWPD1207B-106	PAD,5X9X14.5,4HOLES,W/BP,GRAPHITE	33.06
CWPD1207B-107	PAD,5X9X14.5,4HOLES,W/BP,RED	33.07
CWPD1207B-108	PAD,5X9X14.5,4HOLES,W/BP,CHN GRN	33.08
CWPD1207B-109	PAD,5X9X14.5,4HOLES,W/BP,TURQSE	33.09
CWPD1207B-110	PAD,5X9X14.5,4HOLES,W/BP,RASP	33.1
CWPD1207B-111	PAD,5X9X14.5,4HOLES,W/BP,PLUM	33.11
CWPD1207B-112	PAD,5X9X14.5,4HOLES,W/BP,REGIMENT	33.12
CWPD1207B-113	PAD,5X9X14.5,4HOLES,W/BP,SPC BLUE	33.13
CWPD1207B-115	PAD,5X9X14.5,4HOLES,W/BP,BLK LTHR	33.15
CWPD1207B-116	PAD,5X9X14.5,4HOLES,W/BP,NVBL LTH	33.16
CWPD1207B-117	PAD,5X9X14.5,4HOLES,W/BP,PUTTY	33.17
CWPD1207B-118	PAD,5X9X14.5,4HOLES,W/BP,IMPRL BL	33.18
CWPD1207B-119	PAD,5X9X14.5,4HOLES,W/BP,YEW GRN	33.19
CWPD1207B-120	PAD,5X9X14.5,4HOLES,W/BP,DSTY JD	33.2
CWPD1207B-121	PAD,5X9X14.5,4HOLES,W/BP,TER COT	33.21
CWPD1207B-122	PAD,5X9X14.5,4HOLES,W/BP,PAPRIKA	33.22
CWPD1207B-123	PAD,5X9X14.5,4HLS,W/BP,ASH LTHR	33.23
CWPD1207B-124	PAD,5X9X14.5,4HLS,W/BP,CERULAN LTHR	33.24
CWPD1207B-125	PAD,5X9X14.5,4HLS,W/BP,CHARCOAL LTH	33.25
CWPD1207B-126	PAD,5X9X14.5,4HLS,W/BP,HUNTER LTHR	33.26
CWPD1207B-127	PAD,5X9X14.5,4HLS,W/BP,MOSS LTHR	33.27

CWPD1207B-128	PAD,5X9X14.5,4HLS,W/BP,SPICE LTHR	33.28
CWPD1207B-129	PAD,5X9X14.5,4HLS,W/BP,TOMATO LTH	33.29
CWPF1016-731	BAR,,FLAT CR/HR, 3/8 X 2 X 8 1/4, 3	34
CWHCYN050-100	SCREW,HEX HEAD,BLK XYLAN,1/2-13 X 1	36
CWRANN038-150	BOLT, SHOULDER, 3/8-16 X 1/2 X 1 1/	37
CWKADLN050-081	NUT, ACORN, 1/2-13	38
CWKAYN038-027	LOCKNUT, NYLON INSERT, HALF, UNC,	39
CW12537-109	NUT,INSERT,THIN-NUT,LARGE FLANGE	40
CWCLFA1064-741	ROD END, FEMALE, STEEL, ZINC, CAD,	41
CWTAYN031-150	SCREW, BUTTON HEAD, BLK XYLAN,5/16	43
CWTAYN031-300	SCREW, BUTTON HEAD, BLK XYLAN,5/16	44
CWBFNN050-250	STUD, 1/2-13 X 2 1/2	45
CWWBKN031-007	WASHER, FLAT, TYPE A, SAE, 5/16 ID	46
CWWBKN038-007	WASHER, FLAT, TYPE A, SAE, 3/8 ID	47
CWWBKN050-010	WASHER, FLAT, TYPE A, SAE, 1/2 ID X	48
CWWALYN031-008	WASHER, SPLIT, 5/16 ID, BL	49
CWWALYN038-009	WASHER, SPLIT, 3/8 ID, BLK XYLAN	50
CWWALYN050-013	WASHER, SPLIT, 1/2 ID, BLK XYLAN	51
CWCAYN038-125	SCREW, SOCKET HEAD, BLK X	52
CWCAYN044-100	SCREW, SOCKET HEAD, BLK XYLAN, 7/1	53
CW30010-101	LABEL,WARNING STRENGTH	54
CW30139-101	ASSY, LABEL,INSTRUCTION,215	55
CW31756-101	LABEL, PRECOR USA ICARIAN LINE	56
CW11095-105	CAP, PLASTIC, HEYCO, DOME PLUG, 1.2	57
CWAC242-901	HANDLE END CAP W/SET SCREWS, DIA 1	58
CW31784-731	STOP PLUG, BLK ZN	59
CW12634-101	SPRING, TORSION 90 DEG X 0.484 X 0.	72
CW31770-742	LATCH PIVOTING PIN, CLR ZN	73
CWAMNN028-003	RING, RETAINING, 2-TURN, SPIRAL, SS	74
CW12633-101	ENDCAP, REC TUBE, LDP, 1 1/2 X 3 1	75
CW30181-711	ASSY,SEAT SUPPORT,9 HOLE,CHM	76
CW30165-751	ASSY, POP PIN, 0.450 DIA HANDLE, B	77
CWAC1236-102	GUIDE INSERT, PLASTIC WITH HOLE, BL	100
CWAC220-901	HANDLE END CAP W/SET SCREWS, DIA 3/	101
CWGR2505-000	GRIP,RUBBER,3/4" DIA, 5"	102
CWAC1236-101	GUIDE INSERT, PLASTIC WITHOUT HOLE,	103
CW10520-721	ASSY, PLATE, WEIGHT, 20 LBS, WRKL B	202
CWAC1133-101	BUSHING, WEIGHT PLATE, LDPE PLASTIC	203
CW30173-751	ASSY, 6.00 IN WEIGHT STACK PIN AND	228
CWLDNN038-200	PIN, ROLL, DIA 3/8 X 2	250
CW30184-901	ASSY,BARREL,TOP PLATE,ALUMINUM	251
CW10570-721	PLATE, WEIGHT, LARGE TOP (LTP-S),	285
CW10570-722	PLATE, WEIGHT, LARGE TOP (LTP-S),	285
CW30129-711	SELECTOR STEM, 11 PLATE,0 .875 DIA,	303
CW30011-101	LABEL,WARNING WEIGHT STACK	311
CW12401-114	LABEL, WEIGHT PLATE, 40 LBS/ 18.2 K	327
CW12401-120	LABEL, WEIGHT PLATE, 60 LBS/ 27.3 K	333
CW12401-124	LABEL, WEIGHT PLATE, 80 LBS/ 36.4 K	337
CW12401-128	LABEL, WEIGHT PLATE, 100 LBS/ 45.5	341
CW12401-130	LABEL, WEIGHT PLATE, 120 LBS/ 54.6	343
CW12401-132	LABEL, WEIGHT PLATE, 140 LBS/ 63.6	345

CW12401-134	LABEL, WEIGHT PLATE, 160 LBS/ 72.7	347
CW12401-136	LABEL, WEIGHT PLATE, 180 LBS/ 81.8	349
CW12401-138	LABEL, WEIGHT PLATE, 200 LBS/ 90.9	351
CW12401-140	LABEL, WEIGHT PLATE, 220 LBS/ 100 K	353
CW12537-109	NUT,INSERT,THIN-NUT,LARGE FLANGE	400
CW30126-101	LABEL,VINYL, PRECOR, 3.25 X 18.0	401
CWPF3143-211	SHROUD,SHEET,STEEL,3/32 THICK,4 BEN	402.01
CWPF3143-221	SHROUD,SHEET,STEEL,3/32 THICK,4 BEN	402.02
CWPF3143-231	SHROUD,SHEET,STEEL,3/32 THICK,4 BEN	402.03
CWPF3143-241	SHROUD,SHEET,STEEL,3/32 THICK,4 BEN	402.04
CWPF3143-251	SHROUD,SHEET,STEEL,3/32 THICK,4 BEN	402.05
CWPF3143-261	SHROUD,SHEET,STEEL,3/32 THICK,4 BEN	402.06
CWPF3143-271	SHROUD,SHEET,STEEL,3/32 THICK,4 BEN	402.07
CWPF3143-281	SHROUD,SHEET,STEEL,3/32 THICK,4 BEN	402.08
CWPF3143-291	SHROUD,SHEET,STEEL,3/32 THICK,4 BEN	402.09
CWPF3143-311	SHROUD,SHEET,STEEL,3/32 THICK,4 BEN	402.11
CWPF3143-321	SHROUD,SHEET,STEEL,3/32 THICK,4 BEN	402.12
CWPF3143-331	SHROUD,SHEET,STEEL,3/32 THICK,4 BEN	402.13
CWPF3143-341	SHROUD,SHEET,STEEL,3/32 THICK,4 BEN	402.14
CWPF3143-351	SHROUD,SHEET,STEEL,3/32 THICK,4 BEN	402.15
CWPF3143-361	SHROUD,SHEET,STEEL,3/32 THICK,4 BEN	402.16
CWPF3143-711	SHROUD,SHEET,STEEL,3/32 THICK,4 BEN	402.17
CWPF3144-721	SHROUD BRKT,PLATE,STEEL,1/8 THICK,1	403
CWPF3145-721	SHROUD BRKT,PLATE,STEEL,1/8 THICK,2	404
CWTAYN031-100	SCREW, BUTTON HEAD, BLK XYLAN, 5/1	405
CWWALYN031-008	WASHER, SPLIT, 5/16 ID, BL	406
CWWBKN031-007	WASHER, FLAT, TYPE A, SAE, 5/16 ID	407
CWAC1177-101	FLOOR PROTECTOR, RUBBER, 4.563 X 4.	501
CWAC1178-101	FLOOR PROTECTOR, RUBBER, 2.563 X 6.	502
CWAC1179-101	FLOOR PROTECTOR, RUBBER, 4.813 X 2.	503